

# OceanLine™ Ship-hull Temperature Sensor

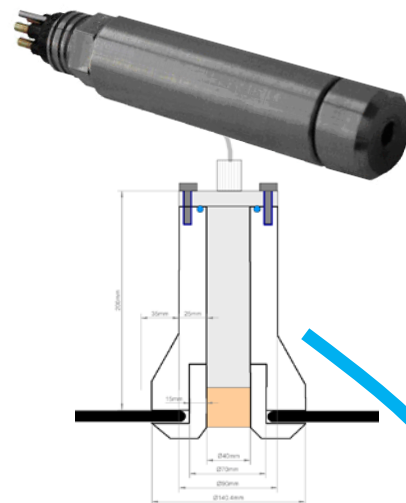
## Temperature sensor for precise in-situ measurements

The SubCtech “Ship-Hull Temperature Sensor” is a member of the OceanLine™ family of high performance scientific sensors. It is the first professional temperature sensor to pass the ship hull and measure direct in-situ. All the well-known problematic effects and interferences of measuring at the water intake tubes are removed. On the other hand, the unique design allows a very easy maintenance from inside without leaking water into the ship.

The flange construction can be installed easily in any hull constructions, e.g. innovative carbon materials. The design withstands highest mechanical forces against the hull. The sensor includes a complete signal processing unit and transmits data via a rough RS-232 or RS-485 link. The power consumption was optimized for battery powered systems.

The sensor is fully integrated into the SubCtech Data Management system including data interface, power supply, and mechanical support. With the SubCtech **SmartDI**® Datalogger the Sensor can be included in a complete measuring network for monitoring and controlling.

- Maintenance free
- Easy to install
- Extreme rough design
- Very low power consumption
- Highest accuracy
- Compatible to OceanPack™ and SmartDI®



Specification	Parameter
<b>Sensor</b>	PT-1000
<b>Range</b>	-2...+36 °C
<b>Accuracy</b>	± 0,005 °C
<b>Resolution</b>	0,0006 °C
<b>Sample rate</b>	Typ. 1Hz
<b>Processing</b>	Std.dev, spikes, average*
<b>Data format</b>	ASCII NMEA-0183
<b>Connection</b>	RS-232 or RS-485
<b>Material</b>	POM, Chopper, Titanium
<b>Flange</b>	60mm through-hole
<b>Power</b>	10...32V, 10mA (0.12W)
<b>Connector</b>	Subconn MCBH-4M

\* via SmartDI Datalogger/Software



In cooperation with

